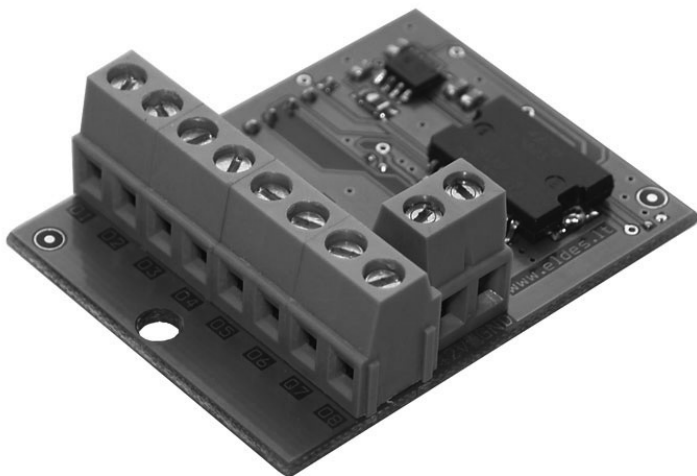


eldes



PGM OUTPUT EXPANSION MODULE

EPGM8

EPGM1 is a PGM output expansion module intended for using with ELDES alarm systems. This module allows to connect up to additional 8 electrical appliances.

Main EPGM8 features:

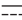
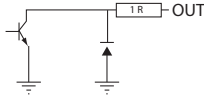
- PGM output expansion adding 8 additional PGM outputs
- compatible with ESIM264 / ESIM364

1. Package Content

1. EPGM8.....qty. 1
2. EPGM8 User Manual... ..qty. 1

2. Technical Specifications

2.1 Electrical & Mechanical Characteristics

| | |
|-------------------------------------|---|
| Power Supply | 10-24V  100mA max |
| Number of PGM Outputs | 8 |
| PGM Output D1-D8 Circuit |  <p>Open collector output. Output is pulled to COM when turned on.</p> |
| Maximum Commuting PGM Output Values | Voltage – 30V; current 500mA |
| Dimensions | 40 x 55 x 15 mm |
| Range of Operating Temperatures | -20...+55°C |

2.2 Connector Functionality

| | |
|---------|-------------------------------|
| D1 - D8 | PGM outputs |
| 12V | Positive power supply contact |
| GND | Negative power supply contact |

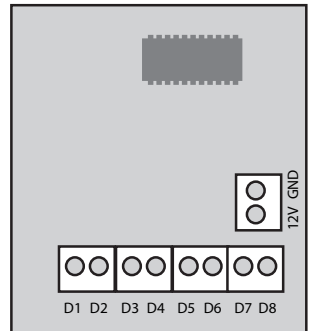


Fig. No. 1

3. Installation

1. Disconnect ELDES alarm system main power supply and backup battery.
2. Insert EPGM8 pins to appropriate ELDES alarm system slots (see Fig. No. 2)

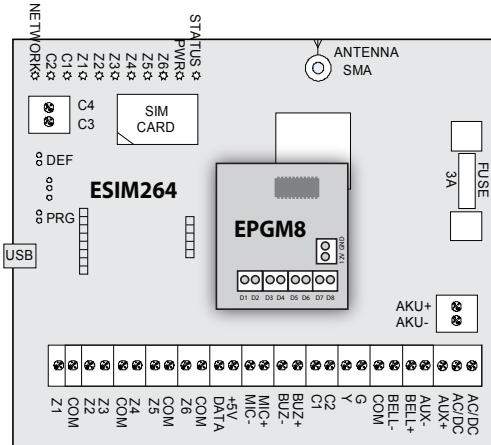


Fig. No. 2

3. Connect EPGM8 12V positive power supply contact with ELDES alarm system AUX+ contact and EPGM8 GND contact with ELDES alarm system AUX- contact. (see Fig. No. 3).
4. Connect the electrical appliances to D1 – D8 PGM outputs. (see Fig. No. 3)

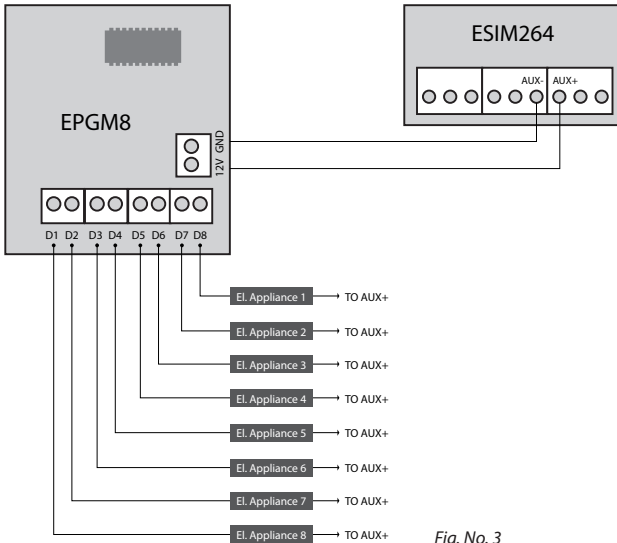


Fig. No. 3

5. Power up ELDES alarm system.
6. Enable EPGM8 mode using EKB2, EKB3 keyboards or *ELDES Configuration Tool* software. For more details, please, refer to software's HELP section or see ELDES alarm system installation manual.
7. EPGM8 is ready for use with ELDES alarm system.

4. Additional Information

Limited Liability

The buyer must agree that the system will reduce the risk of fire, theft, burglary or other dangers but does not guarantee against such events. "ELDES UAB" will not take any responsibility regarding personal or property or revenue loss while using the system. "ELDES UAB" liability according to local laws does not exceed value of the purchased system. "ELDES UAB" is not affiliated with any of the Internet providers therefore is not responsible for the quality of Internet service.

Manufacturer Warranty

This device carries a 24-month warranty by the manufacturer "ELDES UAB". Warranty period starts from the day the system has been purchased by the end user. The warranty is valid only if the system has been used as intended, following all guidelines listed in the manual and within specified operating conditions. Receipt must be kept as a proof of purchase date. The warranty is voided if the system has been exposed to mechanical impact, chemicals, high humidity, fluids, corrosive and hazardous environment or other force majeure factors.

Safety instructions

Please read and follow these safety guidelines in order to maintain safety of operators and people around:

- DO NOT use the system where it can be interfere with other devices and cause any potential danger.
- DO NOT use the system with medical devices.
- DO NOT use the system in hazardous environment.
- DO NOT expose the system to high humidity, chemical environment or mechanical impacts.
- DO NOT attempt to personally repair the system.

EPGM8 must be powered by 10-24V $\overline{\text{---}}$ 100mA max. DC power supply which must be approved by LST EN 60950-1 standard and be easily accessible nearby the device. When connecting the power supply to EPGM8, switching the pole terminals places is forbidden.

Any additional devices linked to EPGM8 (electrical appliances, relays etc.) must be approved by LST EN 60950-1 standard.

Main power and backup battery of ELDES alarm system must be disconnected before any installation or tuning work starts. The system installation or maintenance must not be done during stormy conditions.

EPGM8 is fully turned off by disconnecting 2-pole switch device of the external power supply or any other linked device that EPGM8 is powered from.



The WEEE (Waste Electrical and Electronic Equipment) marking on this product (see left) or its documentation indicates that the product must not be disposed of together with household waste. To prevent possible harm to human health and/or the environment, the product must be disposed on in an approved and environmentally safe recycling process. For further information on how to dispose of this product correctly, contact the system supplier, or the local authority responsible for waste disposal in your area.

Copyright © "ELDES UAB", 2011. All rights reserved

It is not allowed to copy and distribute information in this document or pass to a third party without advanced written authorization by "ELDES UAB". "ELDES UAB" reserves the right to update or modify this document and/or related products without a warning. Hereby, "ELDES UAB" declares that this PGM output expansion module EPGM8 is in compliance with the essential requirements and other relevant provisions of Directive 1999/5/EC. The declaration of conformity may be consulted at www.eldes.lt



