

DHI-VTH1020J-T

Analog Indoor Monitor



- 7" TFT screen
- Video intercom function: Unlock, voice call, video call, volume adjustment
- Touch keypad
- Multiple bell sounds
- Take snapshots



Technical Specification

DHI-VTH1020J-T

System

Button Type Touch keypad

Basic

Display 7.0" TFT

Resolution 1024 × 600

Indicator Light 1 indicator light; Green: Power on

Function

Communication Method Analog

Performance

Casing PC + ABS

General

Color White

Power Supply DC 12V/2A

Installation Surface mount

Certifications CE/FCC

Accessory Bracket (included)

Dimensions 133.90 mm × 182.70 mm × 17.70 mm (5.27" × 7.19" × 0.70")

Operating Temperature -10°C to +55°C (+14°F to +131°F)

Operating Humidity 10%RH–95%RH

Power Consumption ≤ 2W (standby)
≤ 5W (working)

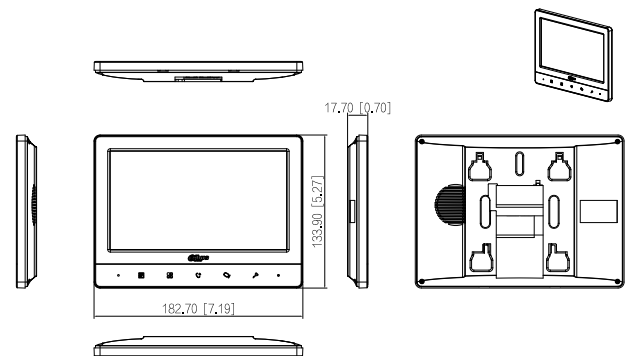
Net Weight 0.25 kg (0.55 lb)

Gross Weight 0.48 kg (1.05 lb)

Ordering Information

Type	Model	Description
Analog Indoor Monitor	DHI-VTH1020J-T	Analog Indoor Monitor

Dimensions (mm[inch])



Application

