

# DHI-HY-C132

## Conventional Heat Detector



- Meets all requirements of latest EN54
- Two-wire, polarity-free realizes convenient wiring
- Completes EMC test, it has strong anti-electromagnetic interference ability, high stability and reliability
- Differential temperature intelligent detection algorithm satisfies a variety of complex scenarios
- Non-loosening screws on base terminal for easy installation
- Contacts material is highly acid-resistant and rust-resistant

### System Overview

DHI-HY-C132 Conventional Heat Detector is a mated product of the Conventional Fire Alarm Control Panel. Integrated with two-wire and polarity-free technology, this detector analyzes ambient temperature by rate of rise & fixed temperature algorithm to trigger alarms.

### Functions

#### Temperature alarm

With rate of rise & fixed temperature algorithm, when the temperature reaches the preset alarm threshold, the detector sends alarm signal, satisfying a variety of complex scenarios.

#### Non-addressable

Without encoding, easy debugging and operating.

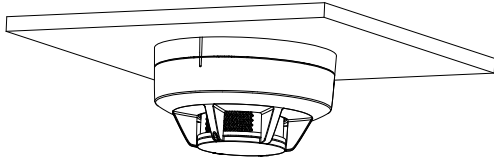
### Scene

It is suitable for kitchens, smoking rooms, boiler rooms, generator rooms and other high-humidity places, where is not suitable to use photoelectric smoke detectors.

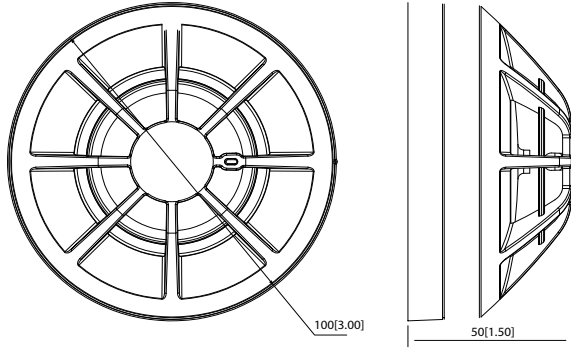
### Technical Specification

Working Voltage	DC16V-DC28V
Rated Power	3.408mW
Current	Standby current: ≤ 120μA Alarm current: ≤ 170μA
Alarm Mode	Visual alarm
Coverage Area	H ≤ 4 m (13.12 ft): 50 m <sup>2</sup> 4 m(13.12 ft) ≤ H ≤ 12 m(39.37 ft): 30 m <sup>2</sup>
Operating Temperature	-10°C to +50°C (+14°F to +122°F)
Operating Humidity	≤ 95% RH (no condensation)
Dimensions (with base)	Φ100 mm × 50 mm (Φ 3.00" × 2.13")
Weight (with base)	81 g (0.18 lb)
Installation	Ceiling Mount
Compliance Standard	EN 54-5: 2017/A1:2018

## Installation



## Dimensions (mm/inch)



## Ordering Information

Type	Part Number	Description
Conventional Heat Detector	DHI-HY-C132	Conventional Heat Detector