

DH-ARD1232

Pet Immunity PIR Detector



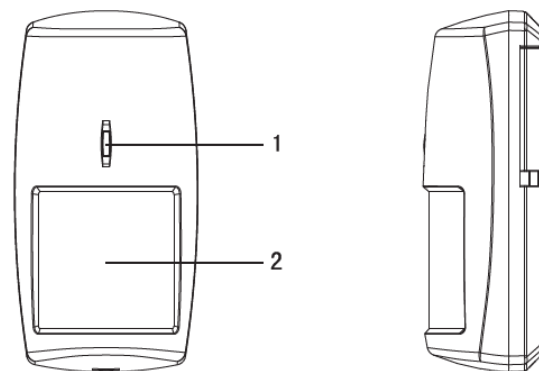
Features

- Pet immunity 25kg
- Self-developed Fresnel lens technology
- External tamper
- White light immunity 20000 Lux
- Temperature auto-compensation, avoiding false alarm
- Pulse count level 1/level 2 optional
- Alarm output N.C./N.O. optional
- Adapt SMT technology, high EMI and RFI resistance ability
- Innovative railway installation method, easy for installation

Technical Specification

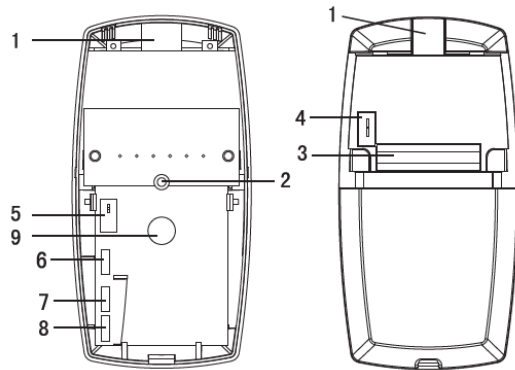
Detection Range/Angle	12m/90°
Microwave Frequency	-
Mounting Type	Wall mount
Installation Height	2.2m
Pet Immunity	≤25Kg
Relay Output	N.C./N.O. optional
Tamper Switch	N.C.
White Light Immunity	20000LUX
Dimension	106mmx54mmx36mm
Working Voltage	DC9-16V
Operation Current	<20mA
Working Temperature	-10°C~+50°C
Material	ABS plastic

Product Appearance



1	LED indicator
2	Lens

Product Appearance



1	Wiring outlet
2	LED indicator
3	Terminal block
4	Tamper switch 1
5	Tamper switch 2
6	LED jumper
7	P. COUNT jumper
8	RELAY jumper
9	Sensor

Range of Detection

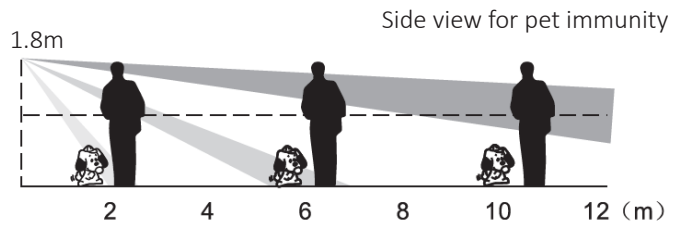


Figure 1

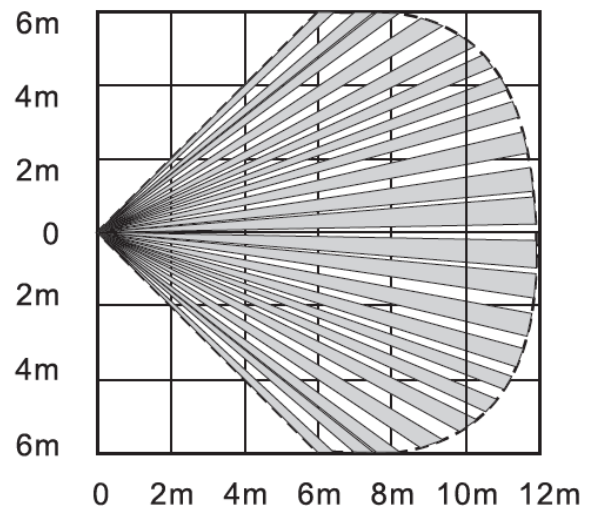


Figure 2