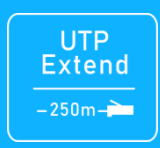




4-Port Gigabit PoE Switch with 1 Gigabit RJ45 and 1 SFP



SP5200-4PGE1GE1GF

Key Features:

- Ports:** Provide 4*10/100Mbps PoE ports and 1 *1000Mbps SFP Uplink
- PoE Standard:** IEEE802.3af/at Power over Ethernet (PoE) Compliant
- Total Power:** Total power budget of 65W and 30W for all single PoE ports
- Self-adaption:** RJ45 port supports 10/100/1000Mbps Auto MDI/MDIX
- Extend Mode:** Extend PoE up to 250m on one single cable
- Wide Application:** Designed for Wifi AP and IP Security camera.VoIP etc
- Surge protection:** Protect the device from lightning surges and others electrical hazards
- Considerate Design:** Exquisite compact size with fanless design
- Easy to use:** Plug and play, No configuration required

Versatile PoE Port

Featuring 4*10/100/1000Mbps PoE ports which support IEEE802.3af/at standard and 1* 10/100/1000Mbps RJ45 and 1* 1000Mbps SFP Uplink ports. the PoE switch provides Maximun power budget of 65W and 30W for single PoE ports sepectively,allowing users to have several different Networking products configured

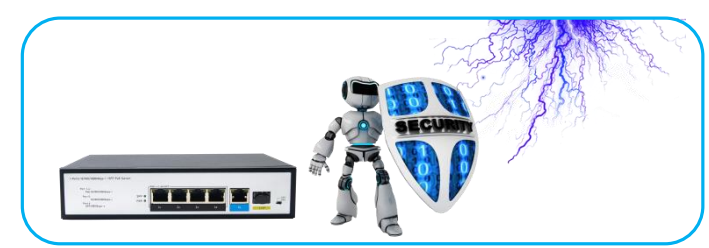


Flexible Extend Mode

With the extend mode, the PoE Switch Series is able to offer more flexible choices for long range transmission, extending the distance up to 250m, which is greatly helpful to bring better user experience.

Surge Protection Design

Reaching 6KV surge protection, the PoE ports owns the capacity to keep the PoE Switch from lightning strikes and other electrical surges, offering reliable performance even in some harsh environments.



Gigabit SFP Uplink Port

With 1 SFP module slot available, the SFP uplink port is ideal for connecting the switch to the network's backbone, providing more than enough bandwidth and stability for ultra high speed data transferring, Beside the SFP can transmittre the date with Max 100Km distance with more economic solution

SP5200-4PGE1GE1GF

4-Port Gigabit PoE Switch with 1 Gigabit RJ45 and 1 SFP Uplink

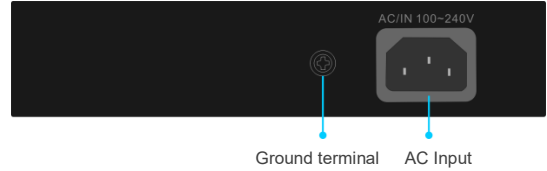
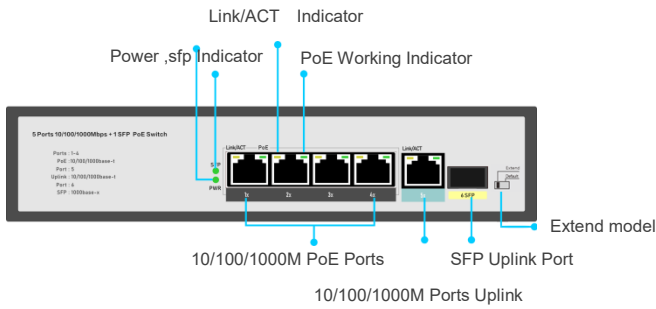
Technical Datasheet

| | | |
|---|---|----------|
| Model | SP5200-4PGE1GE1GF | |
| Hardware Specifications | | |
| Connector | 5 10/100/1000BASE-T RJ45 auto MDI/MDIX ports 1 1000 Base-X SFP Slots | |
| PoE Port | 4 10/100/1000Mbps POE PSE port | |
| SFP | Single fiber/Dual fiber supported. Distance varies by module | |
| Thermal Fan | Fanless Design | |
| LED indicators | Power Indicator: PWR(green). Network Indicator: Link(yellow) PoE Working Indicator: PoE(green) SFP indicator: ON/OFF | |
| Switch Architecture | Store and Forward | |
| Transmission model | IEEE802.3X full-duplex and Backpressure half-duplex | |
| Switch Performance | Backplane bandwidth | 12Gbps |
| | Packet forwarding rate | 8.93Mpps |
| | MAC address | 8k |
| Power requirement | AC100-240V 50/60Hz DC52V/1.25A | |
| ESD Protection | 6KV ESD | |
| Dimension(W×D×H) | 202mm x 140mm x 44.5mm(7.95in x5.51in x 1.75in) | |
| Weight | 1.1Kg | |
| Power over Ethernet (PoE) Specifications | | |
| Network standard | IEEE802.3i 10 BASE-T | |
| | IEEE802.3u 100 BASE-TX | |
| | IEEE802.3x Flow Control | |
| | IEEE802.3af Power over Ethernet | |
| | IEEE802.3at Power over Ethernet | |
| PoE Standard | IEEE802.3az EEE | |
| | IEEE 802.3af Power over Ethernet/PSE IEEE 802.3at Power over Ethernet Plus/PSE | |
| PoE Supply Type | 1/2(+), 3/6(-) End-span | |
| PoE Power Output | Per Port 52V DC, 300mA. max. 15.4 watts (IEEE 802.3af) | |
| | Per Port 52V DC, 600mA. max. 30 watts (IEEE 802.3at) | |
| PoE Power budget | 65W | |
| Environment | | |
| Environment specification | Operating temperature: -20°C~55°C, operating humidity: 5%~95% | |
| | Storage temperature: -40°C~75°C, storage humidity: 5%~95% | |
| Safety | FCC Part15 Class A,CE,RoHS | |

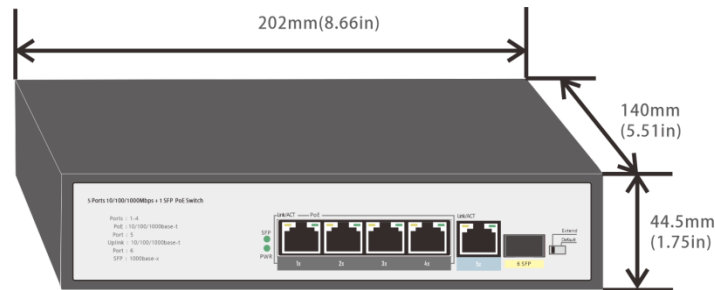
SP5200-4PGE1GE1GF

4-Port Gigabit PoE Switch with 1 Gigabit RJ45 and 1 SFP Uplink

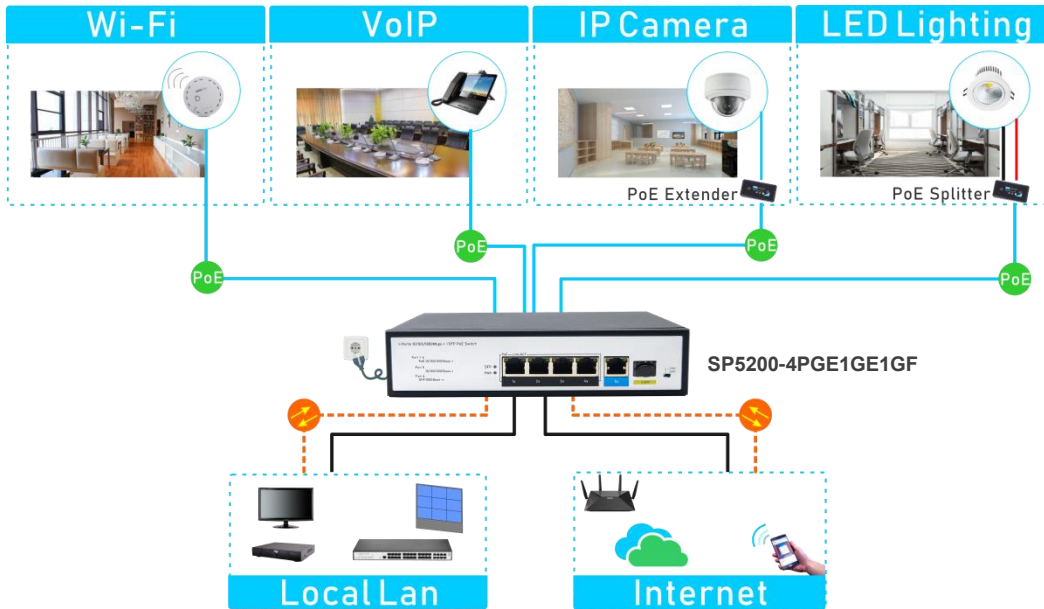
Interfaces



Structure Diagrams



Applications



Ordering Information

SP5200-4PG1GEE1GF

4 Ports 10/100/1000Mbps PoE swtich with 1Gigabit RJ45 and 1 SFP, 6KV surge protection,IEEE802.3af/at