



10/100M PoE Splitter Cable



PoE-SP01



Key Features:

- Support IEEE802.3af/at standard, Both mid-span (4/5+, 7/8-) and end-span (1/2+, 3/6-)
- Output voltage:12VDC(Default), 5~24VDC can be customized, with low ripple.
- Input voltage 44-57VDC, rated output power 12W, greater than 82% efficiency
- Support short circuit, over current and over temperature protection
- 3500V high voltage isolation (input stage to output stage)
- DC interface has dustproof and waterproof measures

OVERVIEW

The POE-SP01 is a 10/100M PD PoE splitter cable. It has 1*10/100Base-TX RJ45 port and 1*PoE output port and 1*DC 12V power port. The invention meets the requirements that various non-PoE network terminals can be externally connected with PoE switches for use, flexibly expands security monitoring and wireless networks without being limited by power line layout, reduces system wiring, improves system stability and safety, and reduces maintenance cost.

The POE-SP01 housing is made of ABS and PC flame retardant plastic material, Meeting the standard of IEEE802.3af/at. Compatible with power supply methods of both End-span(1,2+ 3,6-) and Mid-span (4,5+ 7,8-). With the features of output power at 15W, low ripple, more than 82%high efficiency, Port Isolation Protection: 4KV and Protection for short circuit, over-current & over-temperature. Plug and play, no configuration required, simple and convenient to use.

Surge Protection

This PoE splitter cable is based on the IEC61643-21:2000 standard, Reaching 4KV surge protection, the PoE ports owns the capacity to keep the PoE splitter cable from lightning strikes and other electrical surges, offering reliable performance even in some harsh environments.

Easy Cabling Installation

Providing high power PoE and Ethernet data extension ability, the POE-SP01 is an ideal solution for service providers, campuses and public areas networking applications which require PoE deployment of wireless access points, IP-Based surveillance or IP phones in any places. It enables you to centrally manage the power easily, efficiently and cost effectively.

PoE-SP01

10/100M PoE Splitter Cable

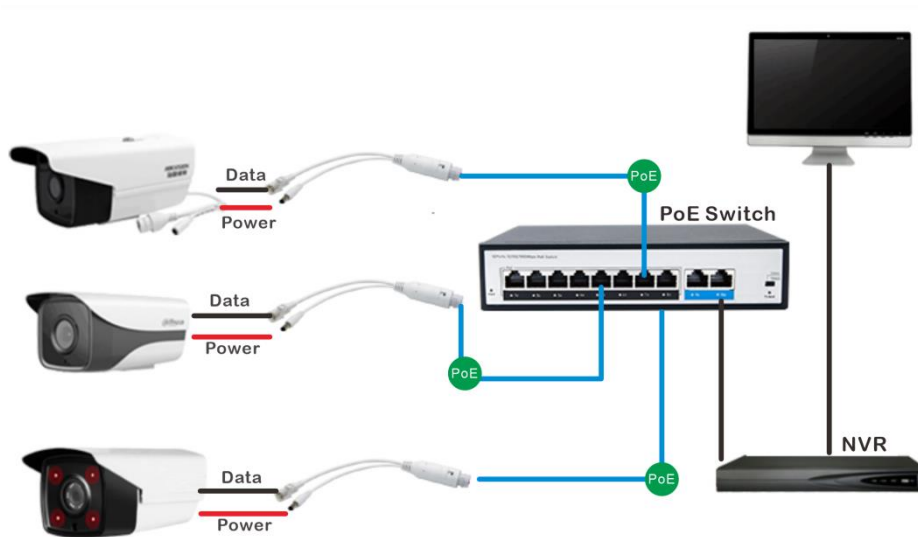
Technical Datasheet

Model	PoE-EX01
Hardware Specifications	
Interface	PoE in Port: 1 x 10/100BASE-T Ethernet POE PD In out Port: 1x 10/100BASE-T Ethernet and 1 DC 12V Out,
Ethernet Port	Ethernet port can support 10/100Base-TX auto-sensing, full/half duplex MDI/MDI-X self-adaption
Network Cable	10BASE-T: Cat3,4,5 UTP(≤100 meter) 100BASE-TX: Cat5 or later UTP(≤100 meter)
Transmission Bandwidth (Rate)	10/100Mbps
Dimension (L*W*H)	90*20*20mm, cable length:≤120mm
Weight	0.1kg
Power over Ethernet (PoE) Specifications	
PoE Standard	PoE in Port: IEEE 802.3af/at PoE PD
Input Voltage	44-57VDC
Power Pin Assignment	1/2 (+), 3/6 (-) & 4/5 (+), 7/8 (-)
Output Voltage	Default 12VDC± 1.5V, optional 5V,9V,24VDC Default DC5521 plug,
Power Consumption	Standby<1W, Full Load<15W
Standards Conformance	
Standards Compliance	IEEE 802.3 Ethernet IEEE 802.3u Fast Ethernet IEEE 802.3x Flow Control IEEE 802.3af Power over Ethernet IEEE 802.3at Power over Ethernet Plus
Stability Testing	IEC 60068-2-32 (Free fall) IEC 60068-2-27 (Shock) IEC 60068-2-6 (Vibration)
Temperature	Operating: -20~55 degrees C Storage: -40~75 degrees C
Humidity	Operating: 5~90%, (non-condensing) Storage: 5~90% (non-condensing)
Regulatory Compliance	FCC Class A, CE Class A

PoE-SP01

10/100M PoE Splitter Cable

Applications



Ordering Information

PoE-SP01

1 Ports 10/100Mbps PoE Splitter, 12V Output