

DHI-HY-C131

Conventional Smoke Detector



- Meets all requirements of latest EN54
- Two-wire, polarity-free realizes convenient wiring
- Completes EMC test, it has strong anti-electromagnetic interference ability, high stability and reliability
- Dual photoelectric smoking sensing chamber provides intelligent and accurate detection of smoke
- BLC algorithm automatically adjusts alarm threshold based on the smoke in the chamber, extending cleaning cycle and providing easier maintenance
- Non-loosening screws on base terminal for easy installation
- Contacts material is highly acid-resistant and rust-resistant

System Overview

DHI-HY-C131 Conventional Smoke Detector is a mated product of the Conventional Fire Alarm Control Panel. Integrated with two-wire and polarity-free technology, this detector analyzes ambient smoke concentration through a dual photoelectric smoke sensing chamber.

Functions

Smoke detection

Integrated with dual photoelectric smoke sensing chamber, it identifies smoke effectively and provides higher fire detection accuracy.

Dual photoelectric smoke sensing chamber

The smart algorithm of automatic compensation against dust concentration helps adjust alarm threshold, prolong cleaning cycle of chamber, and offering a convenient maintenance.

Non-addressable

Without encoding, easy debugging and operating.

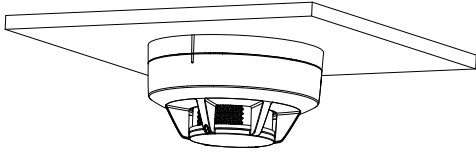
Scene

It is suitable for apartments, hotels, teaching buildings, office buildings, banks, libraries, warehouses, computer rooms, communication machine rooms, archives, and other industrial and civil buildings.

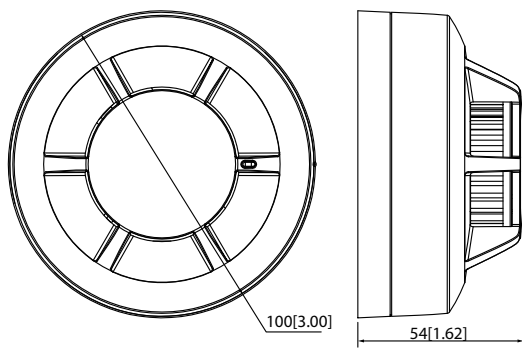
Technical Specification

Working Voltage	DC16V-DC28V
Rated Power	5.136mW
Current	Standby current: $\leq 350\mu\text{A}$ Alarm current: $\leq 350\mu\text{A}$
Alarm Mode	Visual alarm
Coverage Area	$H \leq 4 \text{ m (13.12 ft): } 50 \text{ m}^2$ $4 \text{ m (13.12 ft)} \leq H \leq 12 \text{ m (39.37 ft): } 80 \text{ m}^2$
Operating Temperature	$-10^{\circ}\text{C to } +55^{\circ}\text{C (+14}^{\circ}\text{F to } +131^{\circ}\text{F)}$
Operating Humidity	$\leq 95\% \text{ RH (no condensation)}$
Dimensions (with base)	$\Phi 100 \text{ mm} \times 54 \text{ mm } (\Phi 3.00" \times 2.13")$
Weight (with base)	102 g (0.22 lb)
Installation	Ceiling Mount
Compliance Standard	EN 54-7:2018

Installation



Dimensions (mm/inch)



Ordering Information

Type	Part Number	Description
Conventional Smoke Detector	DHI-HY-C131	Conventional Smoke Detector