

# DHI-HY-C134

## Conventional Smoke Detector



- 4W-B Smoke Detector, compatible with remote indicator
- The backlight compensation intelligent algorithm allows the smoke detector to automatically adjust the alarm threshold based on maze contamination levels, extending cleaning cycles and simplifying maintenance
- Non-loosening screws on base terminal for easy installation
- Contacts material is highly acid-resistant and rust-resistant

### System Overview

The DHI-HY-C134 is a 4W-B non-addressable photoelectric smoke detector that operates on a polarity-free two-wire power supply. It features a dual-emitter and single-receiver labyrinth design, which includes a labyrinth contamination compensation function.

### Functions

#### Compensation Mechanism for Maze Contamination

By using a maze contamination compensation algorithm, the system intelligently adjusts the alarm threshold, effectively extending the cleaning cycle.

#### Non-Addressability

It is plug-and-play, requiring no address coding, and offers convenient debugging.

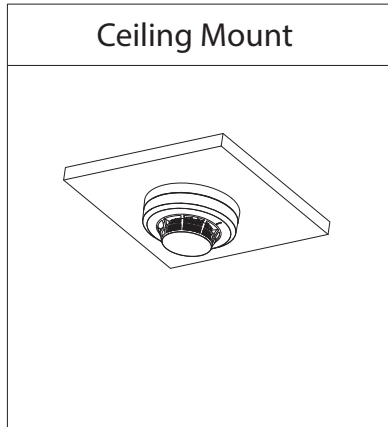
### Scene

It is designed to be compatible with conventional fire alarm control panels and is suitable for use in residential buildings, hotels, offices, educational institutions, banks, libraries, warehouses, computer rooms, communication rooms, and archival storage in both civilian and industrial structures.

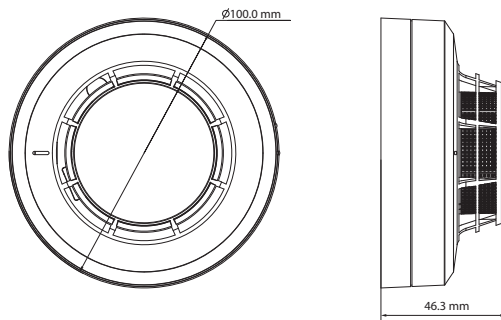
### Technical Specification

Surveillance Area	For installation heights below 4 m, the coverage area is 150 m <sup>2</sup> For installation heights between 4 m and 12 m, the coverage area is 80 m <sup>2</sup>
Working Principle	Smoke detection
Alarm mode	Indicator light alarm
Operating Voltage	DC 24V
Operating Current	Static current: ≤ 750μA Alarm current: ≤ 25mA
Operating Temperature	-10°C to +50°C (14°F to 122°F)
Operating Humidity	≤ 95% RH (no condensation)
Dimensions (with base)	Φ100 mm × 46.3 mm (Φ 3.94" × 1.82")
Weight (with base)	96 g (0.21 lb)
Installation	Ceiling Mount

## Installation



## Dimensions (mm/inch)



## Ordering Information

Type	Model	Description
Detector	DHI-HY-C134	Detector