

DSP3254EN

10W EN54 Fireproof Ceiling Speaker



Description

The DSP3254EN is a ceiling speaker designed for voice evacuation systems compliant with EN54-24 requirements. It features a built-in 100V transformer, enabling high-voltage, low-current transmission. This allows for long-distance signal transmission and the parallel connection of multiple loudspeakers. The built-in 6.5" speaker driver offers a wide frequency response of 90Hz-20,000Hz. Multiple power taps (2.5W - 10W) are available to suit different room sizes and background noise levels. The enclosure is made of high-grade steel and formed by stamping, ensuring long-term durability and resistance to deformation. It is equipped with a fire-resistant wire case to enhance fire safety. A spring clip clamp enables quick and secure installation. The speaker driver features excellent damping for extended lifespan and delivers clear, sonorous sound. It is an ideal choice for industrial and commercial applications such as hotels, schools, offices, and factories where background music and paging are required.

Features

- Built-in 100V transformer
- In-ceiling type loudspeaker
- 6.5" paper cone waterproof driver
- Rate power 10W with optional power taps
- High-class steel and form by stamping
- Leaded wire case and ceramic terminals for fireproofing
- Comply with EN54-24 requirements

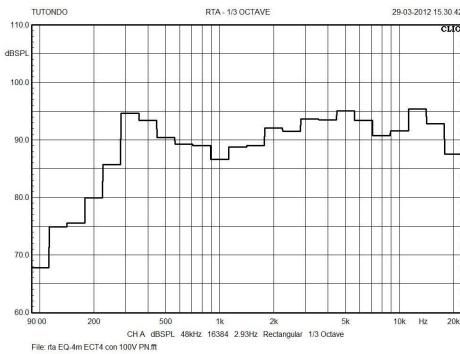
Specifications

Model	DSP3254EN	
Full-Range	6.5"	
Rated Power	10W	
Rated Voltage	100V	2.5W-5W-10W
Sensitivity	91.7±2dB	
Frequency Response	90-20,000Hz	
MAX SPL(1M)	101.7±2dB	
Cutout Size	Ø185 - Ø200mm	
Demensions(H x W x L)	141 x Ø211mm	

Product Information

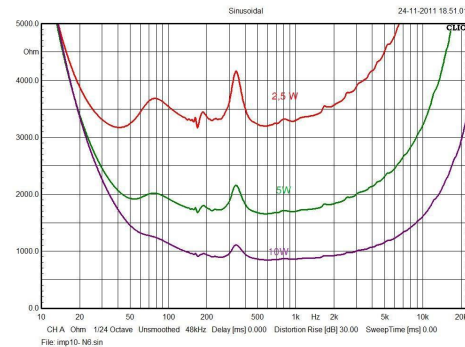
FREQ. RESPONSE

Measures on panel: IEC standard SPLMAX 4m

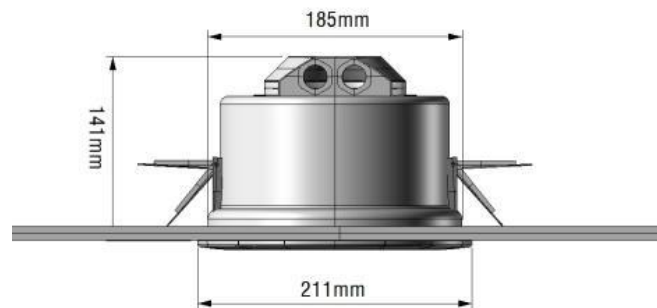


DISTORTION

Impedance vs different power taps: 10W - 5W - 2,5W



Dimension

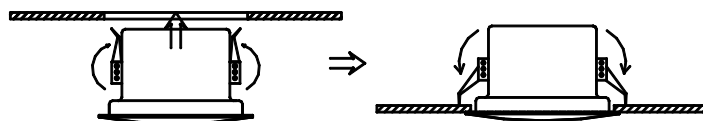


Installation

1. Cut a $\varnothing 185\text{mm} - \varnothing 200\text{mm}$ installation hole on ceiling as shown above;
2. Adjust the clamps of the speaker system for different ply of ceiling;
3. Connect audio broadcasting wire to the terminals according to the table below;

Power	Line Voltage	
Terminals		100V
Red--- White		2.5W
Red--- Blue		5W
Red--- White		10W

4. Turn up the clamps of the speaker and insert them into the installation hole on ceiling and then release them as shown below; Putting on your gloves for safety is recommended.



5. Finally, examine whether it is steady.